

GL-SL140 Mini Lid Stay (Safety Button Lock)

Top opening · Upward opening

Opening Direction	Description	Non-handed	Qty	Compression Load	
 Top-opening	 Upward-opening	Locks When Fully Opened	Yes	1 Unit Per Door	147 N/pc (15 kgf/pc)

Features

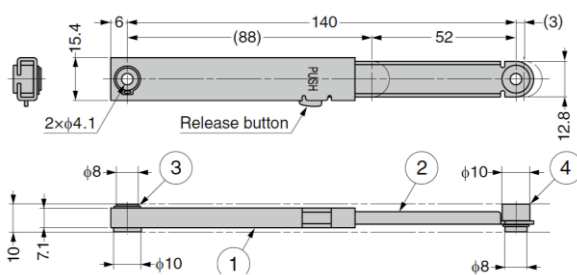
- Can be locked automatically at the door position fully opened
- Releases by pushing the release button with the door opened and arm extended (safety lock release)
- Can be installed in a small space due to compact design
- Used for opening and closing of small device or door

Notes

- Do not use this product as a stopper
- Allow room for stroke when installing
- Securely fix the mounting screws with screw adhesive
- Use 1 pc for 1 door
- Opening angle and installation position change depending on the position of hinge centre. Determine the installation position based on the hinges used and cabinet shape
- For wooden door, use bracket **GL-SL140-BT**

Sold Separately

- Mounting bracket **GL-SL140-BT**

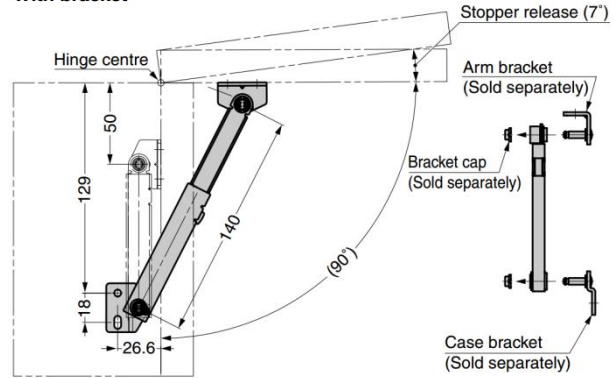


No.	Part Name	Material	Finish/Colour
①	Body	Stainless Steel (SUS304)	Barrel Polished
②	Arm		Polished
③	Case Bracket	(SUS304)	-
④	Arm Bracket		-

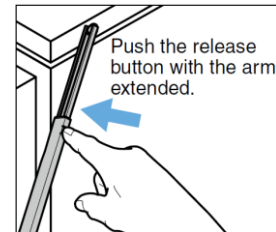
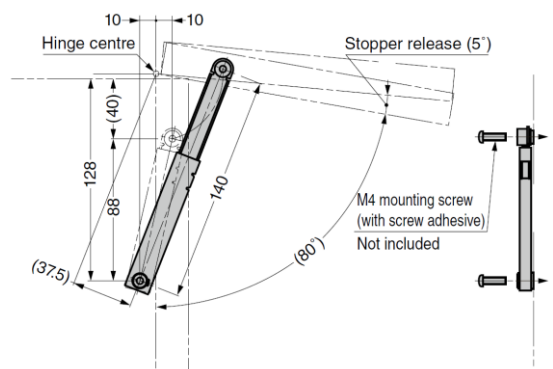
Part No.	Compression Load (per piece)
GL-SL140	147 N 15 kg



With bracket

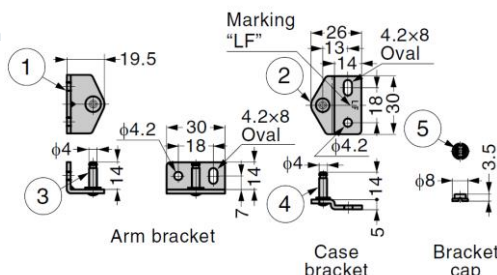


Without bracket



GL-SL140-BT Bracket

- One-touch installation with the bracket cap



Part No.
GL-SL140-BT

No.	Part Name	Material	Finish/Colour
①	Arm Bracket	Stainless Steel (SUS304)	Barrel Polished
②	Case Bracket		
③	Shaft of Arm Bracket	Stainless Steel	Plain
④	Shaft of Case Bracket	(SUS303)	
⑤	Bracket Cap	POM	Black